

TD

TERASSENDACH



The Terassendach system is suitable for infills made of wall polycarbonate and glazing units (single, double and triple glazing).

TERASSENDACH

Roof system without thermal insulation.

The Terrassendach system is suitable for infills made of wall polycarbonate and glazing units (single, double and triple glazing).

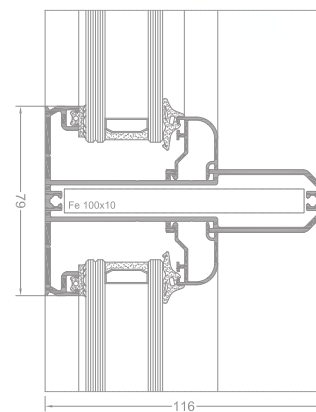
Available options of the system:

- eave with load-bearing rafter from the external side
- pyramidal roof with various types of the load-bearing rafter (fixed externally)
- double-pitched roof with external rafter
- roof with valley gutters and external rafter

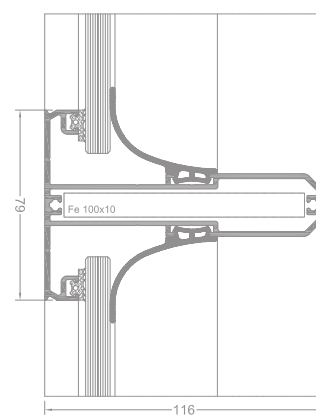
Technical description:

- span between two rafters up to 600 cm
- depth of the load-bearing rafter up to 600 cm*
 - *Assumptions: VSG 10 mm, span between rafters 80 cm, snow load 85 kg/m², deflection coefficient L/200
- load-bearing structure with various gutter solutions
- option to install solar shading devices to lateral structure beams
- a wide variety of gutter solutions
- roof pitch from 5° to 25° degrees
- option to attach lighting through a terminal strip
- quick prefabrication

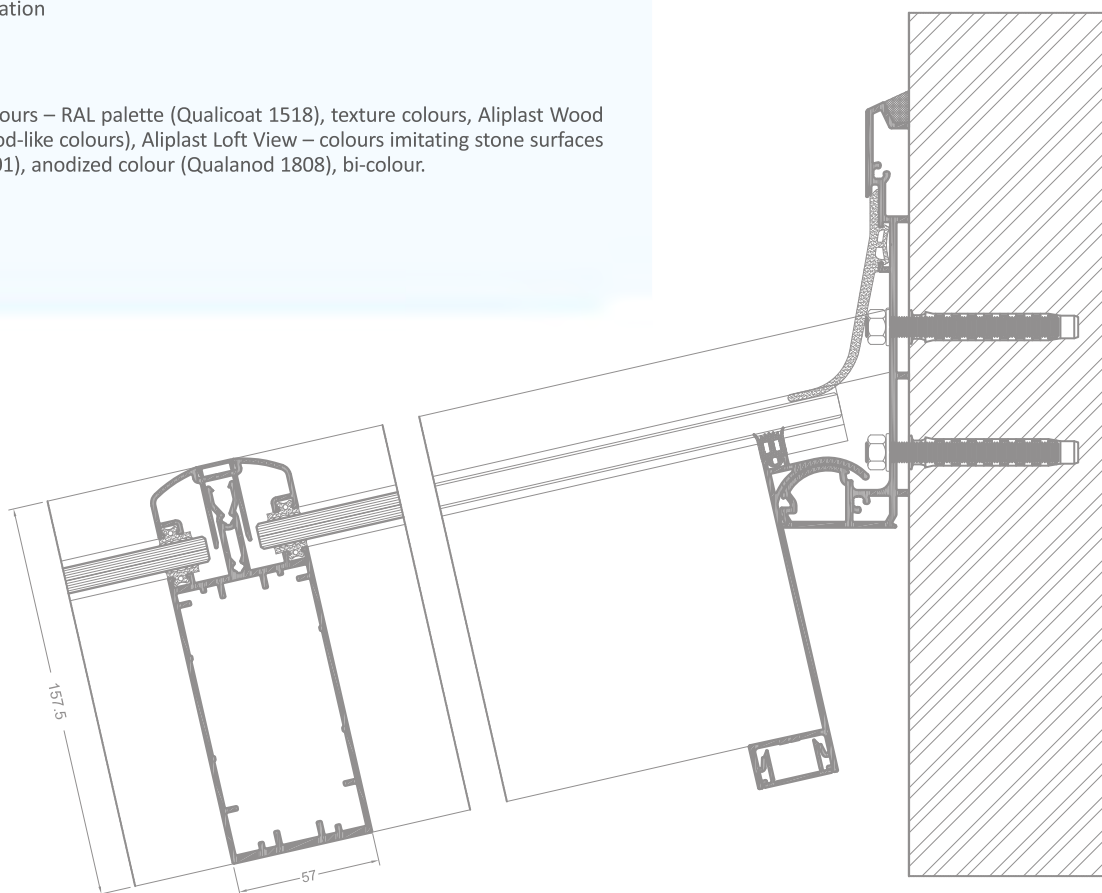
Wide range of colours – RAL palette (Qualicoat 1518), texture colours, Aliplast Wood Colour Effect (wood-like colours), Aliplast Loft View – colours imitating stone surfaces (Qualideco PL-0001), anodized colour (Qualanod 1808), bi-colour.



option of glazing with strip



option of glazing with flexible seal



joint passing through the wall and the roof